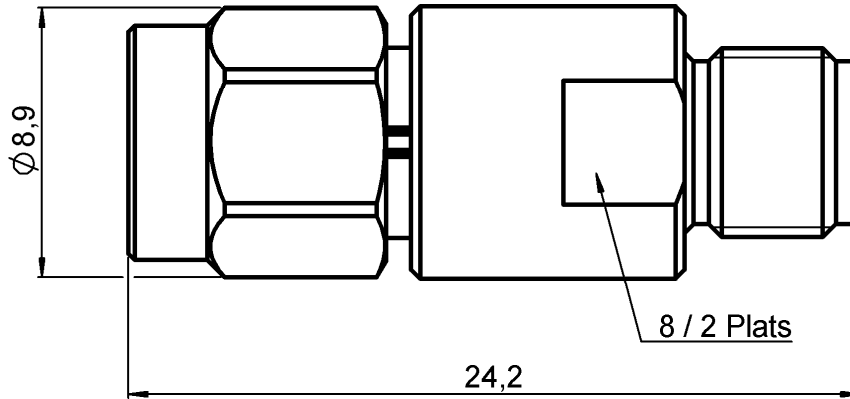


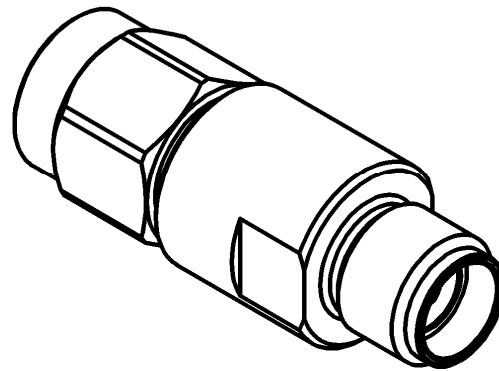
**SMA ATTENUATOR**  
**29 DB 15 GHZ 2W**

**R411.829.000**

Series : ATTENUATOR



SCALE 1:1



All dimensions are in mm.



COMPONENTS	MATERIALS	PLATING(µm)
<b>BODY</b>	<b>STAINLESS STEEL</b>	<b>PASSIVATION</b>
<b>MALE CENTER CONTACT</b>	<b>BERYLLIUM COPPER</b>	<b>GOLD 2.5 OVER NICKEL 1</b>
<b>FEMALE CENTER CONTACT</b>	<b>BERYLLIUM COPPER</b>	<b>GOLD 2.5 OVER NICKEL 2</b>
<b>OUTER CONTACT</b>		
<b>INSULATOR</b>	<b>PTFE</b>	
<b>GASKET</b>	<b>SILICONE RUBBER</b>	
<b>SUBSTRATE</b>	<b>ALUMINA</b>	
<b>RESISTOR</b>	<b>THIN FILM</b>	
<b>OTHERS PARTS</b>		

Issue : 0834 A

In the effort to improve our products, we reserve the right to make changes judged to be necessary.

**SMA ATTENUATOR**  
**29 DB 15 GHZ 2W**

**R411.829.000**  
Series : ATTENUATOR

**ELECTRICAL CHARACTERISTICS**

Frequency (GHz)	DC - 4	4 - 8	8 - 12.4	12.4 - 15
V.S.W.R (≤)	1.20	1.25	1.30	1.50
Deviation(±dB)	+0.6 / -0.6	+0.7 / -0.6	+1.0 / -0.6	+1.4 / -0.6

Operating Frequency Range	DC -15	GHz
Impedance	50	Ω
Nominal Attenuation	29	dB
Peak power at 25°C (1μs, 1%)	100	W
Average power at 25°C	2	W (Free Air Cooled)
		W (Conduction Cooled)

**MECHANICAL CHARACTERISTICS**

Connectors	SMA	Male Female	MIL-C 39012
Weight	6,6440 g		

**ENVIRONMENTAL CHARACTERISTICS**

Operating temperature range	-55 /+125 °C
Storage temperature range	-55 /+125 °C



**SPECIFICATION**

**OTHER CHARACTERISTICS**

Issue : 0834 A

In the effort to improve our products, we reserve the right to make changes judged to be necessary.

